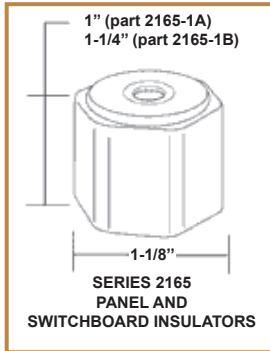
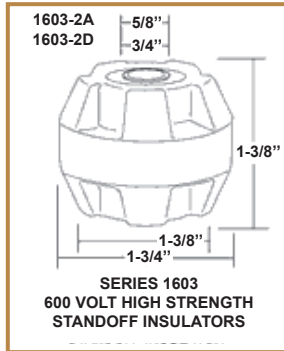


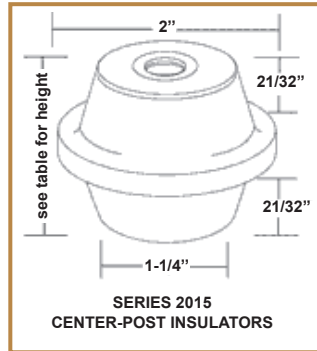
Insulators



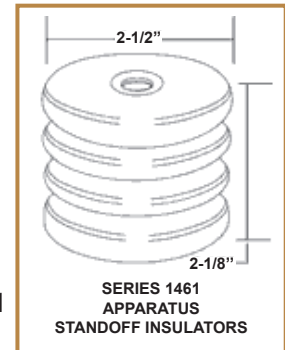
2165



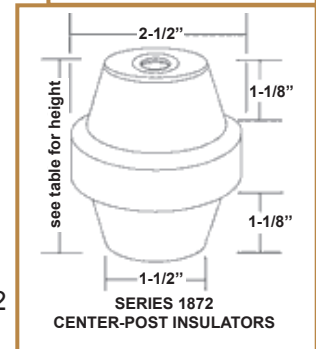
1603



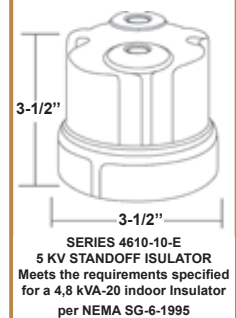
2015



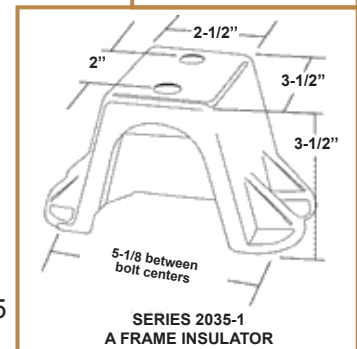
1461



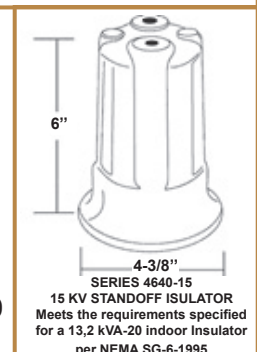
1872



4610



2035



4640

Dimensions

Part #	Height inches	Thread Size inches	Suggested Indoor Voltage Rating	Short Time Electrical Strength Kv
2165-1A	1	1/4 x 20 x 5/16 deep	600	18.6
2165-1B	1 1/4	1/4 x 20 x 5/16 deep	600	-
1603-2A	1 3/8	3/8 x 16 x 3/8 deep	600	10.0
1603-2D	1 1/2	3/8 x 16 x 3/8 deep	600	10.0
2015-1A	1 1/2	1/4 x 20 x 1/2 deep	1500	33.4
2015-2A	1 1/2	5/16 x 18 x 7/16 deep	1500	33.4
2015-3A	1 1/2	3/8 x 16 x 3/8 deep	1500	33.4
2015-2B	1 3/4	5/16 x 18 x 7/16 deep	2000	-
2015-3B	1 3/4	3/8 x 16 x 3/8 deep	2000	-
2015-2C	2	5/16 x 18 x 7/16 deep	2300	43.1
2015-3C	2	3/8 x 16 x 9/16 deep	2300	43.1
2015-4C	2	1/2 x 13 x 5/8 deep	2300	43.1
2015-3D	2 1/4	3/8 x 16 x 9/16 deep	2700	-
2015-4D	2 1/4	1/2 x 13 x 5/8 deep	2700	-
1461-1A	2 1/8	3/8 x 16 x 9/16 deep	2500	49.3
1461-1B	2 1/8	1/2 x 13 x 5/8 deep	2500	27.9
1461-1C	2 1/8	5/8 x 11 x 5/8 deep	2500	21.0
1872-1A	2 1/2	3/8 x 16 x 9/16 deep	3200	51.4
1872-2A	2 1/2	1/2 x 13 x 5/8 deep	3200	51.4
1872-3F	2 5/8	5/8 x 11 x 11/16 deep	3400	-
1872-1B	2 3/4	3/8 x 16 x 9/16 deep	3600	-
1872-2B	2 3/4	1/2 x 13 x 5/8 deep	3600	-
1872-1C	3	3/8 x 16 x 9/16 deep	4100	-
1872-2C	3	1/2 x 13 x 5/8 deep	4100	-
1872-1D	3 1/4	3/8 x 16 x 9/16 deep	4500	-
1872-2D	3 1/4	1/2 x 13 x 5/8 deep	4500	-
1872-1E	3 1/2	3/8 x 16 x 9/16 deep	5000	55.2
1872-2E	3 1/2	1/2 x 13 x 5/8 deep	5000	55.2
1872-3E	3 1/2	5/8 x 11 x 11/16 deep	5000	55.2
2035-1	3 1/2	2" bolt circle	5000	-
4610-15	3 1/2	3/8 x 16 x 9/16 deep	5000	-
4640-15	6	2" bolt circle	15000	-